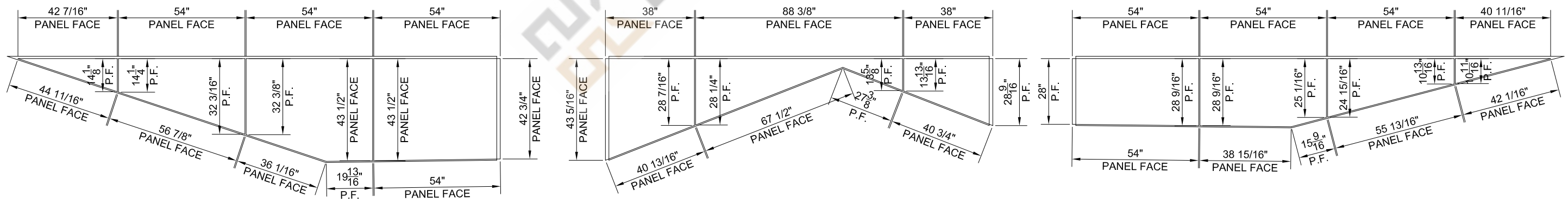


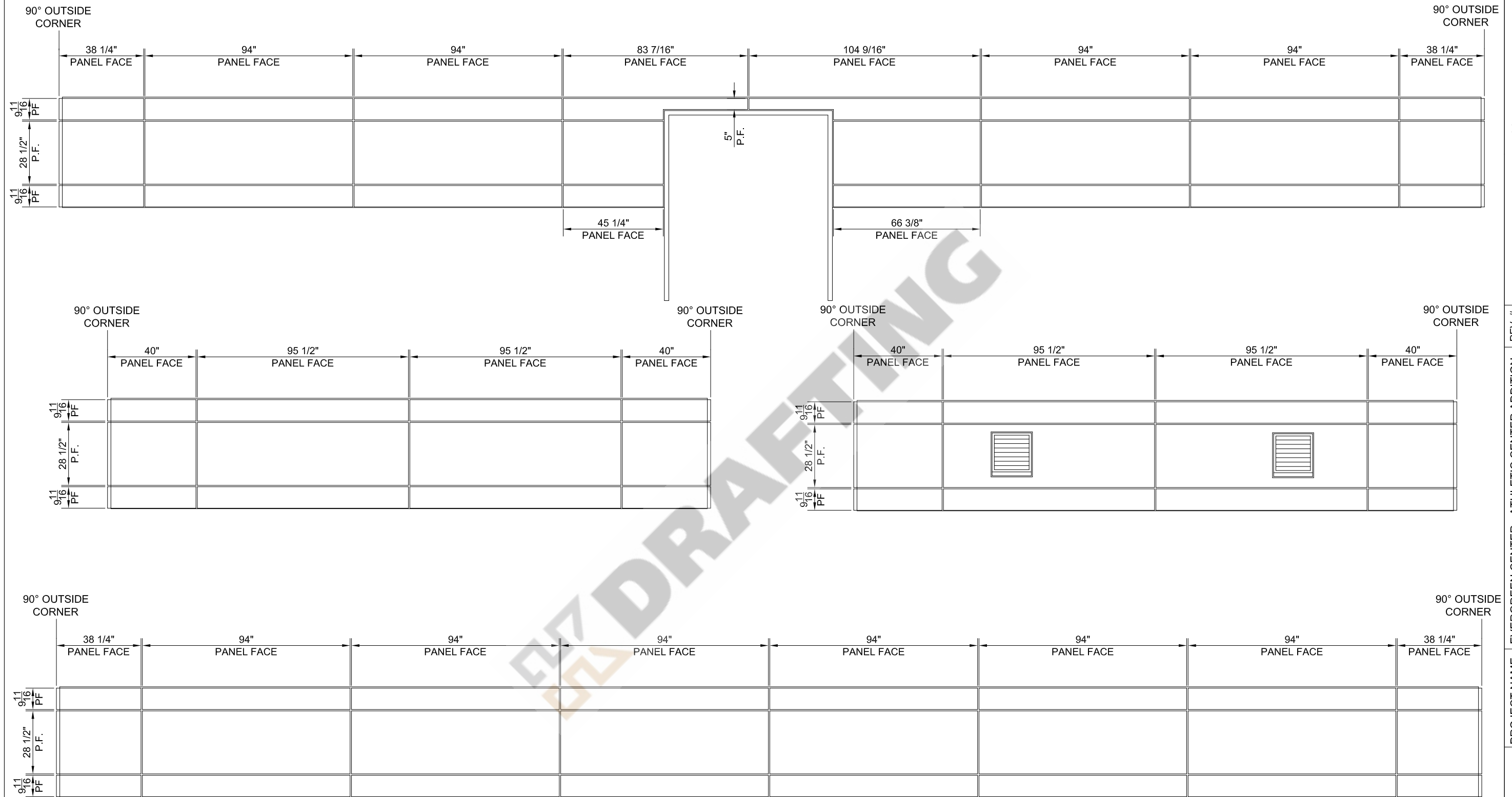
**EAST GABLE FASCIA**



**MECHANICAL PLATFORM ACCESS SURROUND**

PROJECT NAME:	EVERGREEN CENTER - ATHLETIC CENTER ADDITION	REV. #	REASON:
CONTRACTOR:	DENNIS DIGIANDO CORPORATION	1	
ARCHITECT:	APPLIED FORM + SPACE	2	
OWNER:	EVERGREEN CENTER, INC.	3	





**POOL MECHANICAL PLATFORM FASCIA WRAP**

REASON:

REV. #

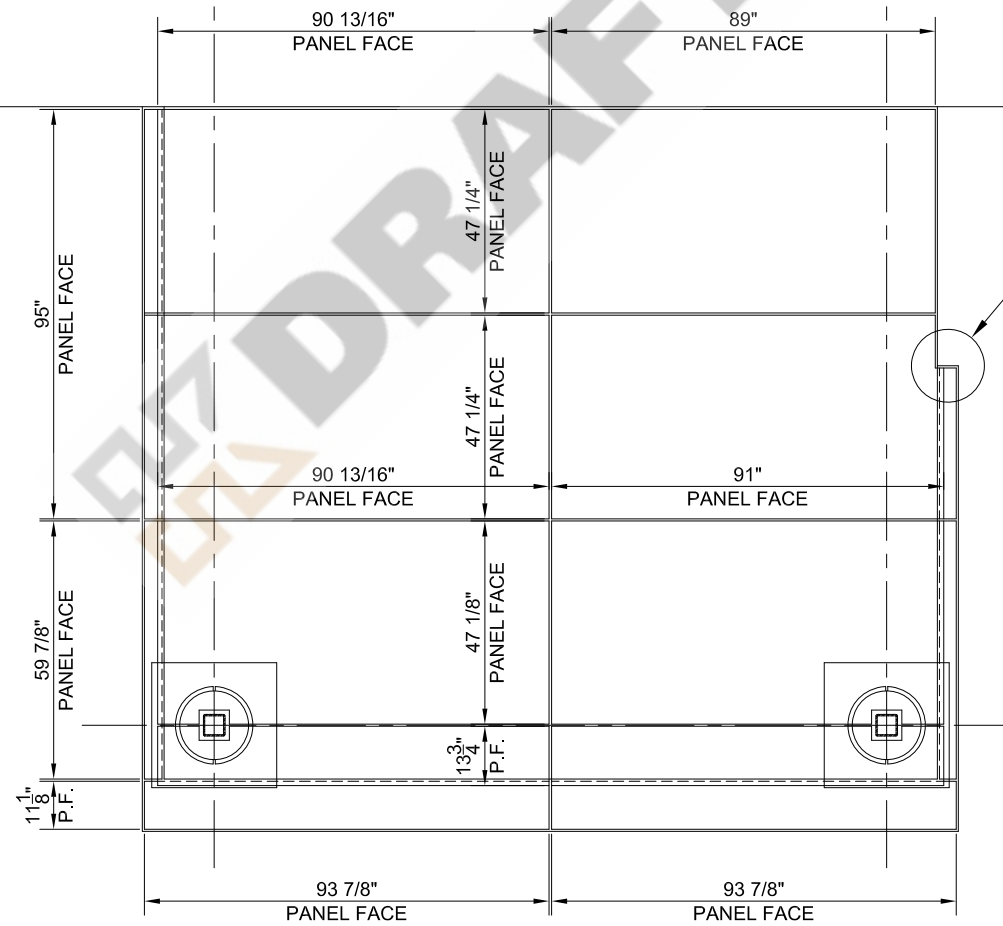
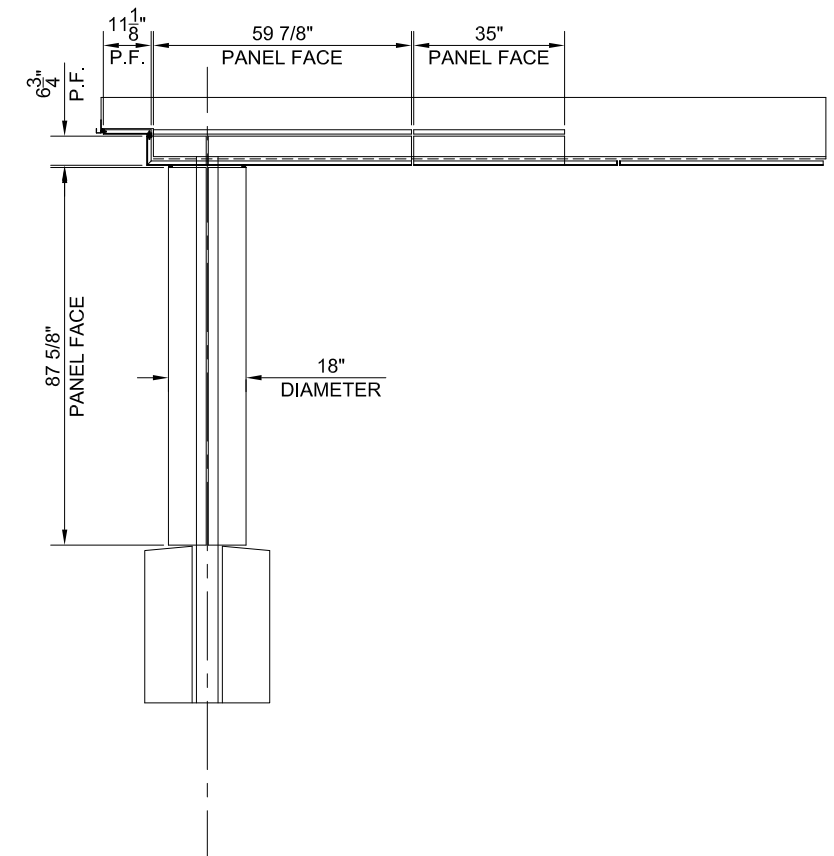
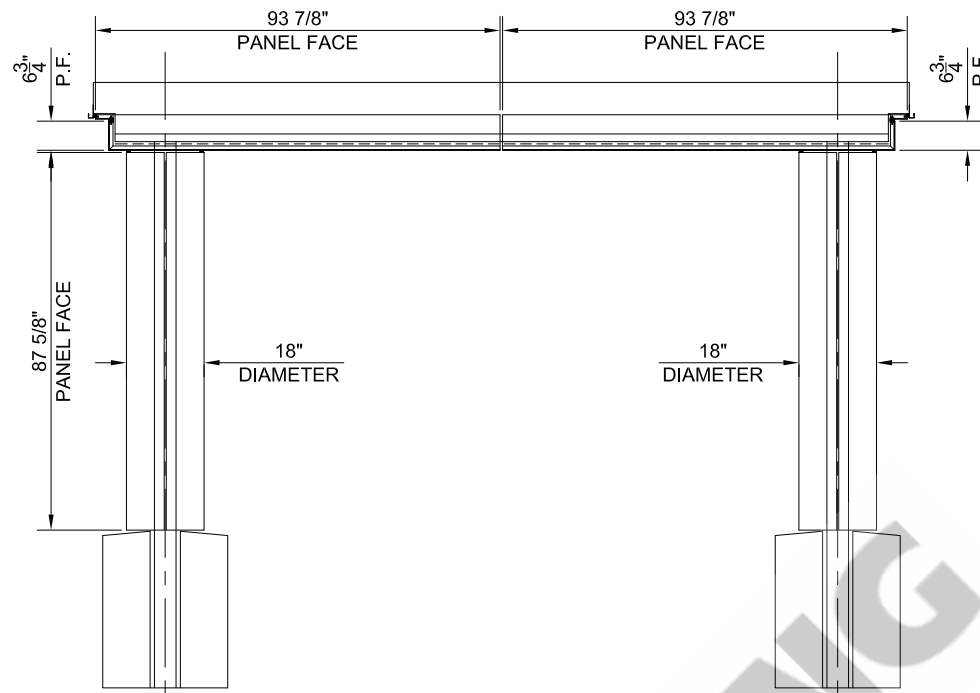
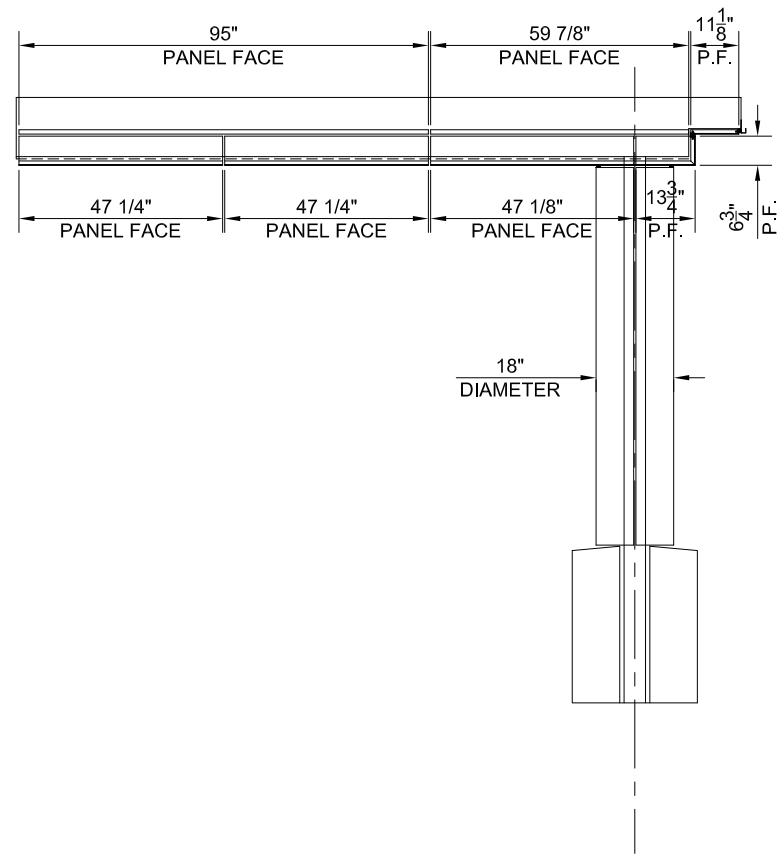
1

2

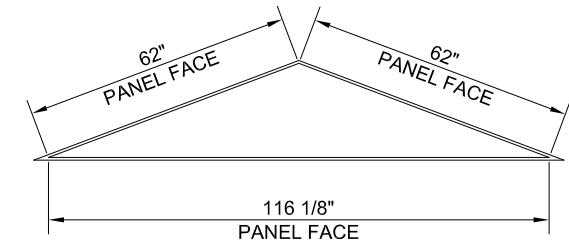
3

PROJECT NAME: EVERGREEN CENTER - ATHLETIC CENTER ADDITION  
 CONTRACTOR: DENNIS DIGIANDO CORPORATION  
 ARCHITECT: APPLIED FORM + SPACE  
 OWNER: EVERGREEN CENTER, INC.





THIS RETURN INTERSECTS WITH EXISTING FASCIA



INSET ABOVE ENTRY

**MAIN ENTRY**

REASON:

REV. #

1

2

3

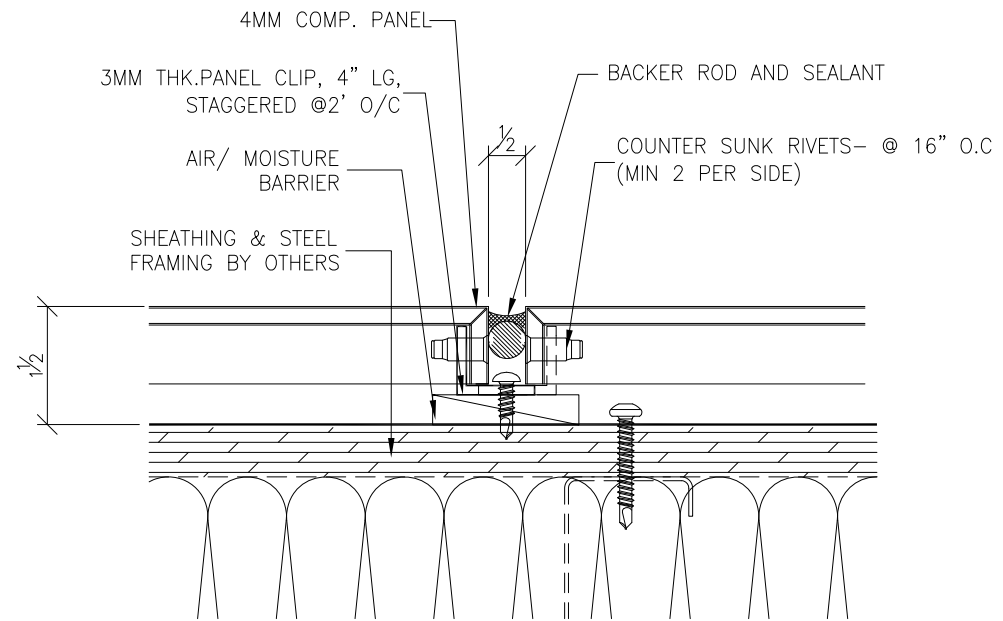
PROJECT NAME: EVERGREEN CENTER - ATHLETIC CENTER ADDITION

CONTRACTOR: DENNIS DIGIANDO CORPORATION

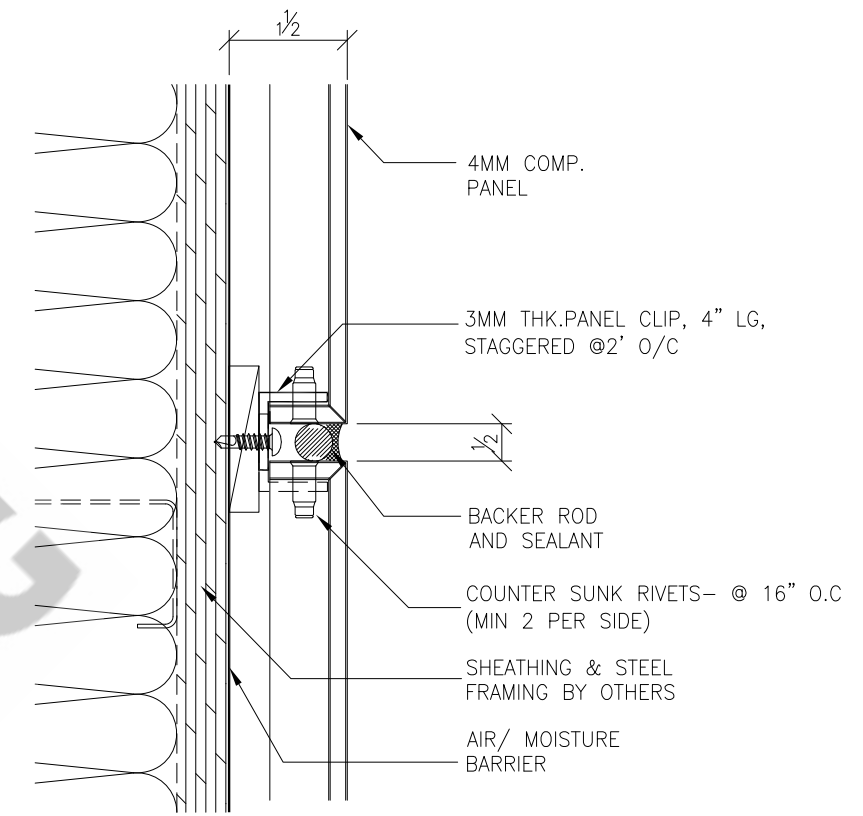
ARCHITECT: APPLIED FORM + SPACE

OWNER: EVERGREEN CENTER, INC.

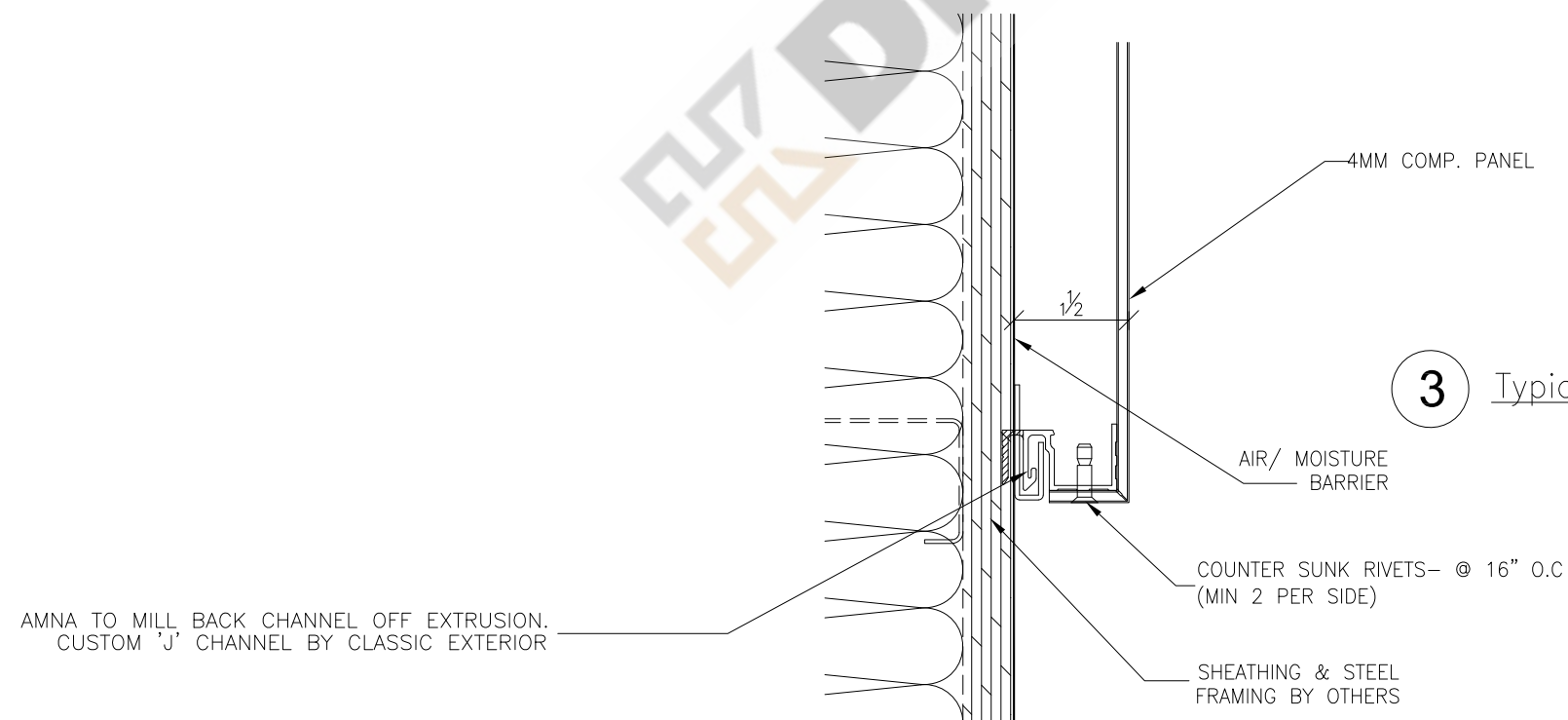




1 Typical Vertical Joint



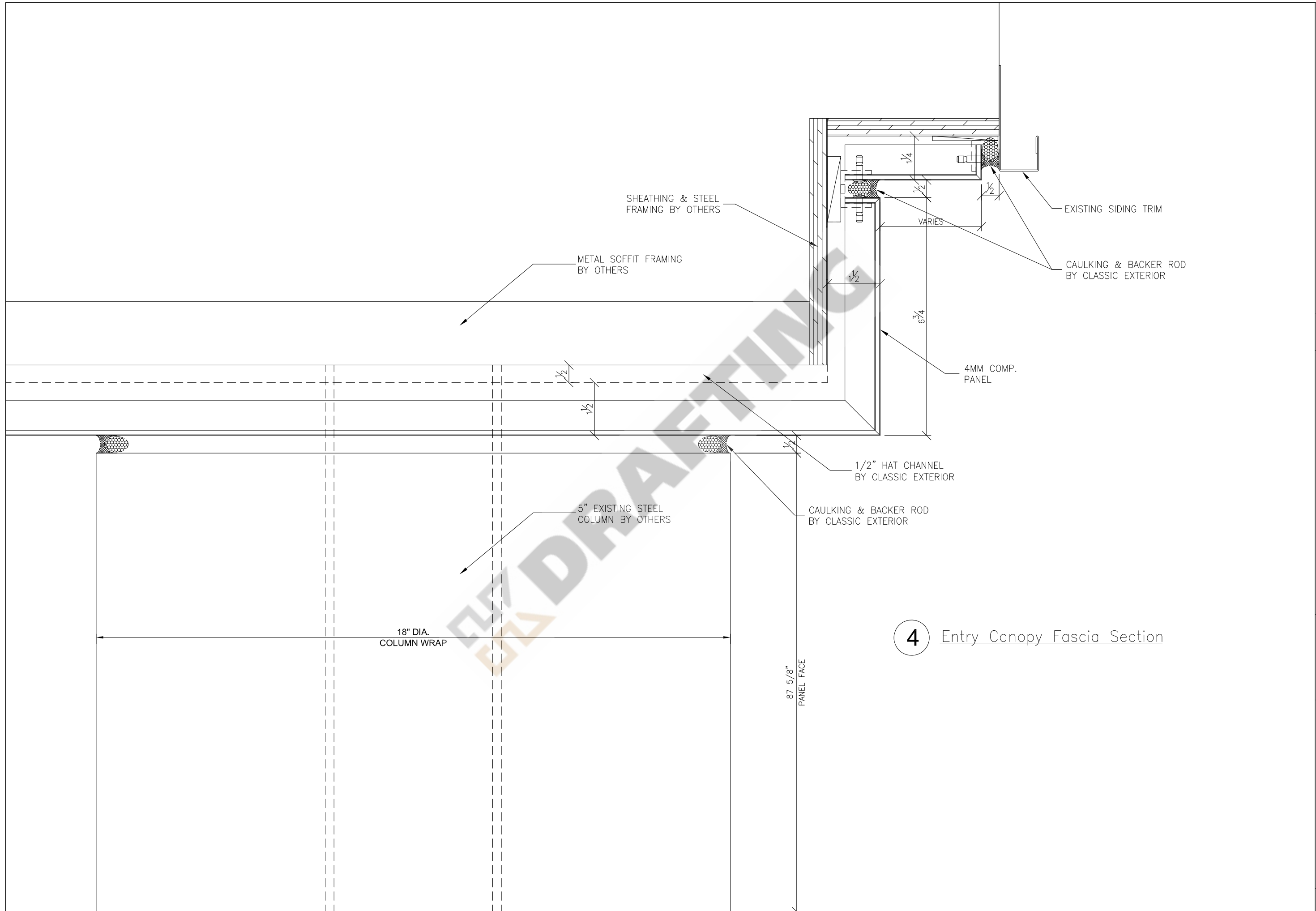
2 Typical Horizontal Joint



3 Typical Base Detail

PROJECT NAME:	EVERGREEN CENTER - ATHLETIC CENTER ADDITION	REV. #	REASON:
CONTRACTOR:	DENNIS DIGIANDO CORPORATION	1	
ARCHITECT:	APPLIED FORM + SPACE	2	
OWNER:	EVERGREEN CENTER, INC.	3	



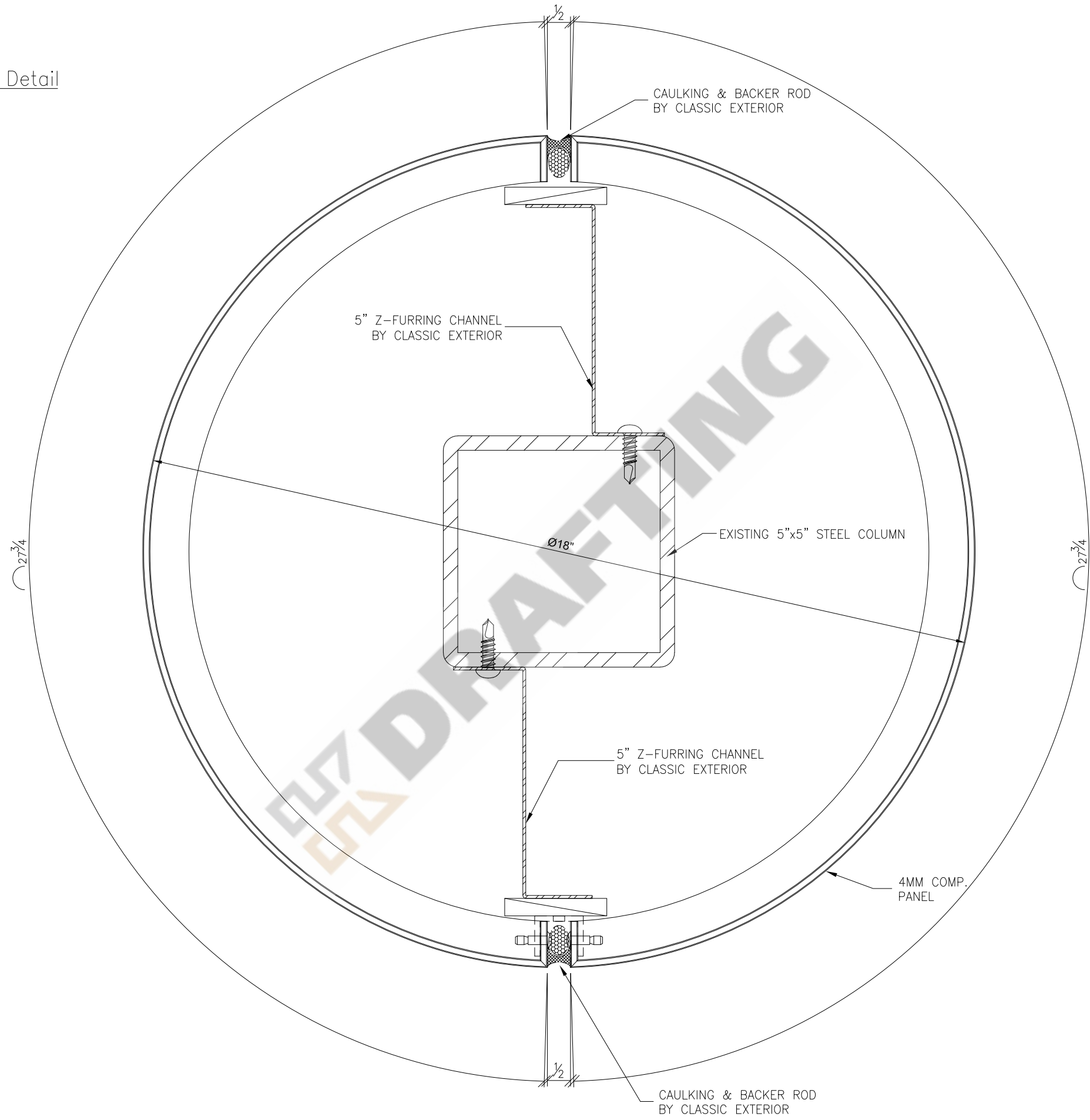



**4** Entry Canopy Fascia Section

<b>PROJECT NAME:</b> EVERGREEN CENTER - ATHLETIC CENTER ADDITION <b>CONTRACTOR:</b> DENNIS DIGIANDO CORPORATION <b>ARCHITECT:</b> APPLIED FORM + SPACE <b>OWNER:</b> EVERGREEN CENTER, INC.	<b>REV. #</b>	<b>REASON:</b>
	1	
	2	
	3	



5 Column Section Detail



 GILFORD, NH - INFO@KHDRAFTING.COM	PROJECT NAME:	EVERGREEN CENTER - ATHLETIC CENTER ADDITION	REV. #	REASON:
	CONTRACTOR:	DENNIS DIGIANDO CORPORATION	1	
	ARCHITECT:	APPLIED FORM + SPACE	2	
	OWNER:	EVERGREEN CENTER, INC.	3	