

SIG SAUER SHOOTING RANGE CENTER

EPPING, NH 03042

ARCHITECT:
COWAN GOUDREAU ARCHITECTS, PLLC



GENERAL NOTES:

- 1. THESE DRAWINGS ARE BASED UPON OUR UNDERSTANDING OF THE ARCHITECTURAL DRAWINGS AND SPECIFICATIONS AS RELATED TO OUR SCOPE OF WORK.
- 2. USE OF THESE DRAWINGS BY OTHERS TRADES IS NOT AUTHORIZED. ANY ERRORS OR MISTAKES BY OTHERS AS A RESULT OF THESE DRAWINGS IS NOT THE RESPONSIBILITY OF CLASSIC EXTERIOR.
- 3. REFER TO CONTRACT DOCUMENTS FOR SPECIFIC SCOPE OF WORK.

SYMBOLS LEGEND:

CENTER LINE

MATCH LINE

WORK POINT INDICATOR

NORTH ARROW

DETAIL NUMBER
 DETAIL INDICATOR
 DWG NUMBER

REVISION DELTA
 REVISION NUMBER

ABBREVIATION LEGEND:

AFF	ABOVE FINISH FLOOR	PF	PANEL FACE
ALUM	ALUMINUM	PFH	PHILLIPS FLAT HEAD
ARCH	ARCHITECT	PPH	PHILLIPS PAN HEAD
BO	BOTTOM OF	PL	PLATE
CMP	COMPOSITE METAL PANEL	PNL	PANEL
COC	CONCEALED OVERHEAD CLOSER	REF	REFERENCE
CONC	CONCRETE	REV	REVISION
DIM	DIMENSION	RH	RIGHT HAND
DFO	DOOR FRAME OPENING	RO	ROUGH OPENING
DL	DEAD LOAD	SIM	SIMILAR
DLO	DAYLIGHT OPENING	SS	STAINLESS STEEL
DO	DOOR OPENING	SMS	SHEET METAL SCREW
DWG	DRAWING	SHTG	SHEATHING
ELEV	ELEVATION	TBD	TO BE DETERMINED
FD	FRAME DIMENSION	THK	THICK
GC	GENERAL CONTRACTOR	TO	TOP OF
GS	GLASS SIZE	TOS	TOP OF SLAB
HWH	HEX WASHER HEAD	TYP	TYPICAL
LH	LEFT HAND	VIF	VERIFY IN FIELD
MIR	MIRROR	WD	WINDOW DIMENSION
MGC	MIDDLESEX GLASS COMPANY INC.	WL	WIND LOAD
ML	MULLION LENGTH	WP	WORKING POINT
MO	MASONRY OPENING		
NIC	NOT IN CONTRACT		
NTS	NOT TO SCALE		
OC	ON CENTER		
OPP	OPPOSITE HAND		

MATERIALS:

ACM PANELS SYSTEM: 2000 SERIES - RAINSCREEN ACM - 2 1/4" SYSTEM OFFSET
 ACM PANELS (ACM-1): 4MM ACM - ALPOLIC - 'BLACK METALLIC'

INDEX:

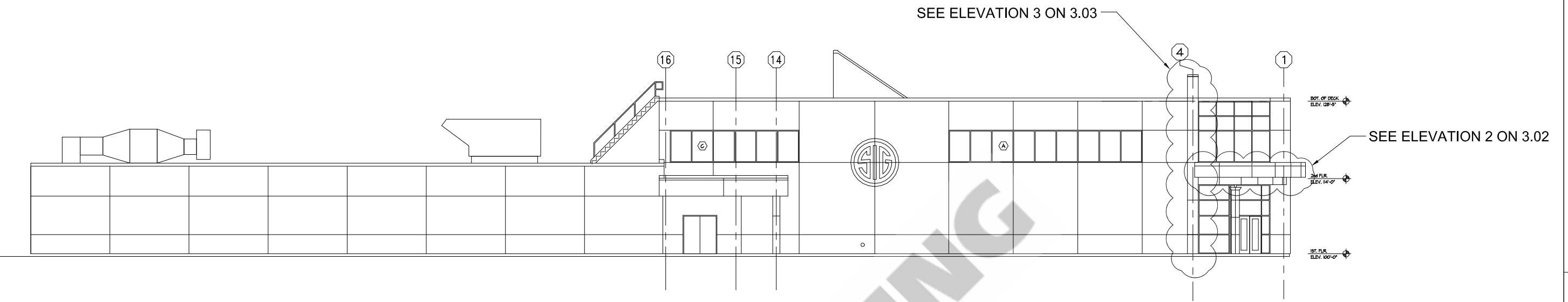
PAGE #	DESCRIPTION:
1.00	COVER PAGE
2.01	BUILDING ELEVATIONS
3.01-3.04	PANEL ELEVATIONS
4.01-4.08	PANEL DETAILS

DRAWN BY: ORIGINAL DRAWING DATE:
 KPH 12/11/20 - 100% DESIGN

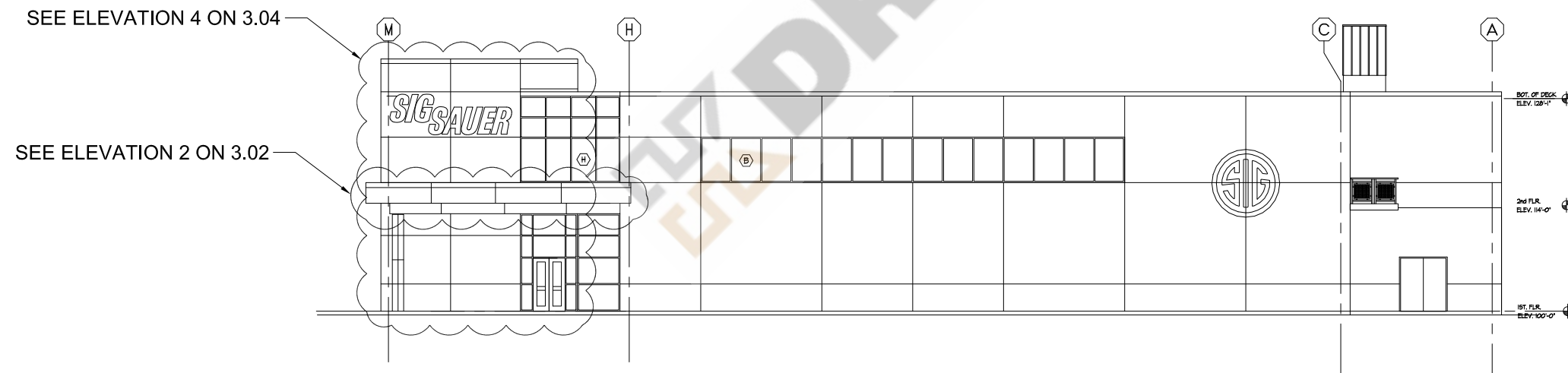
PROJECT NAME:	SIG SAUER SHOOTING RANGE CENTER	REV. #		REASON:	
CONTRACTOR:	NORTH BRANCH CONSTRUCTION	1		REVISED PER ARCHITECT REVIEW	
ARCHITECT:	COWEN GOUDREAU ARCHITECTS, PLLC	2			
		3			



GILFORD, NH - INFO@KHDRAFTING.COM



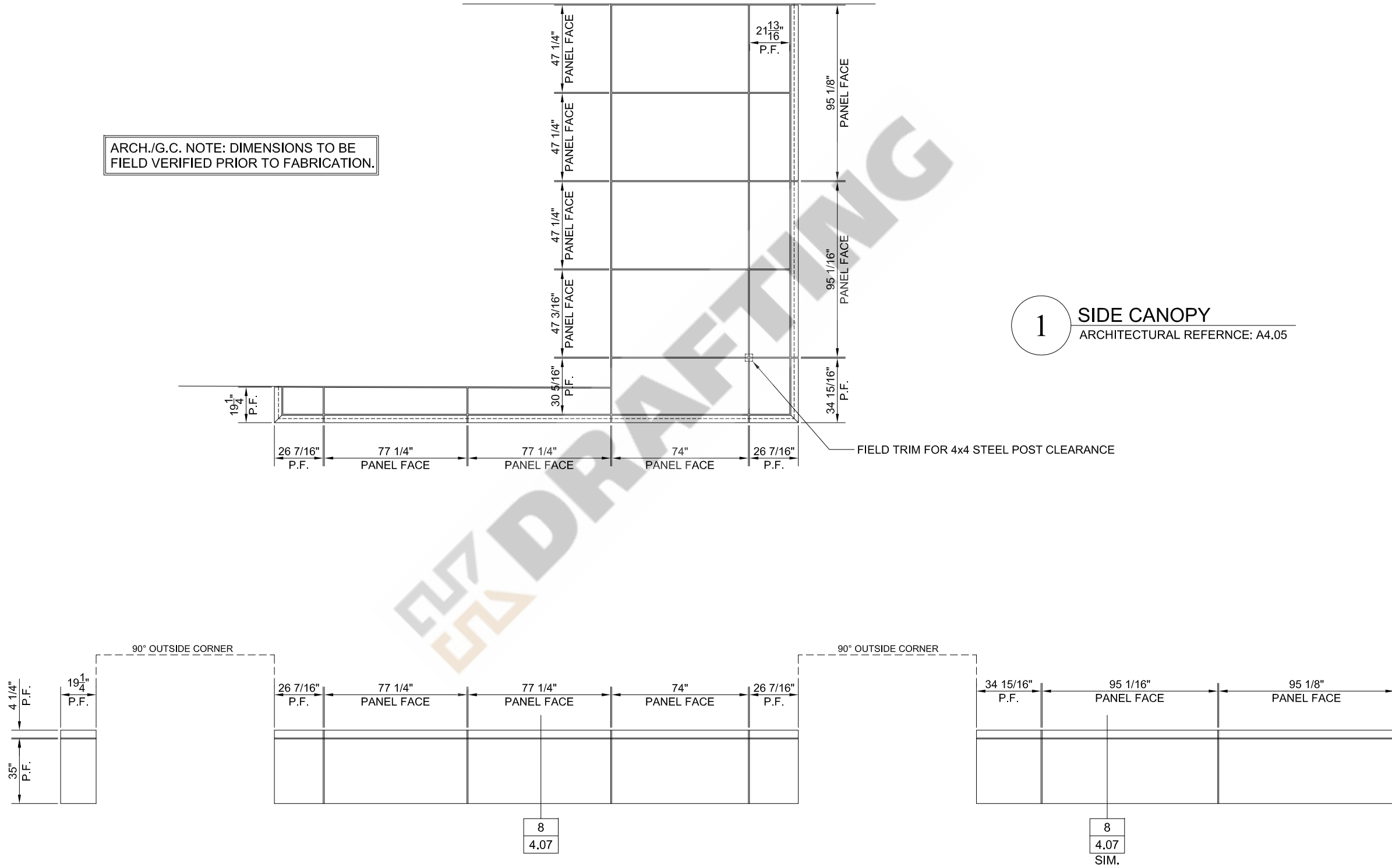
1 SOUTH ELEVATION
 ARCHITECTURAL REFERENCE: 1/A2.01



2 EAST ELEVATION
 ARCHITECTURAL REFERENCE: 2/A2.01

PROJECT NAME:	SIG SAUER SHOOTING RANGE CENTER
CONTRACTOR:	NORTH BRANCH CONSTRUCTION
ARCHITECT:	COWEN GOUDREAU ARCHITECTS, PLLC
REASON:	REVISED PER ARCHITECT REVIEW
REV. #	1
	2
	3

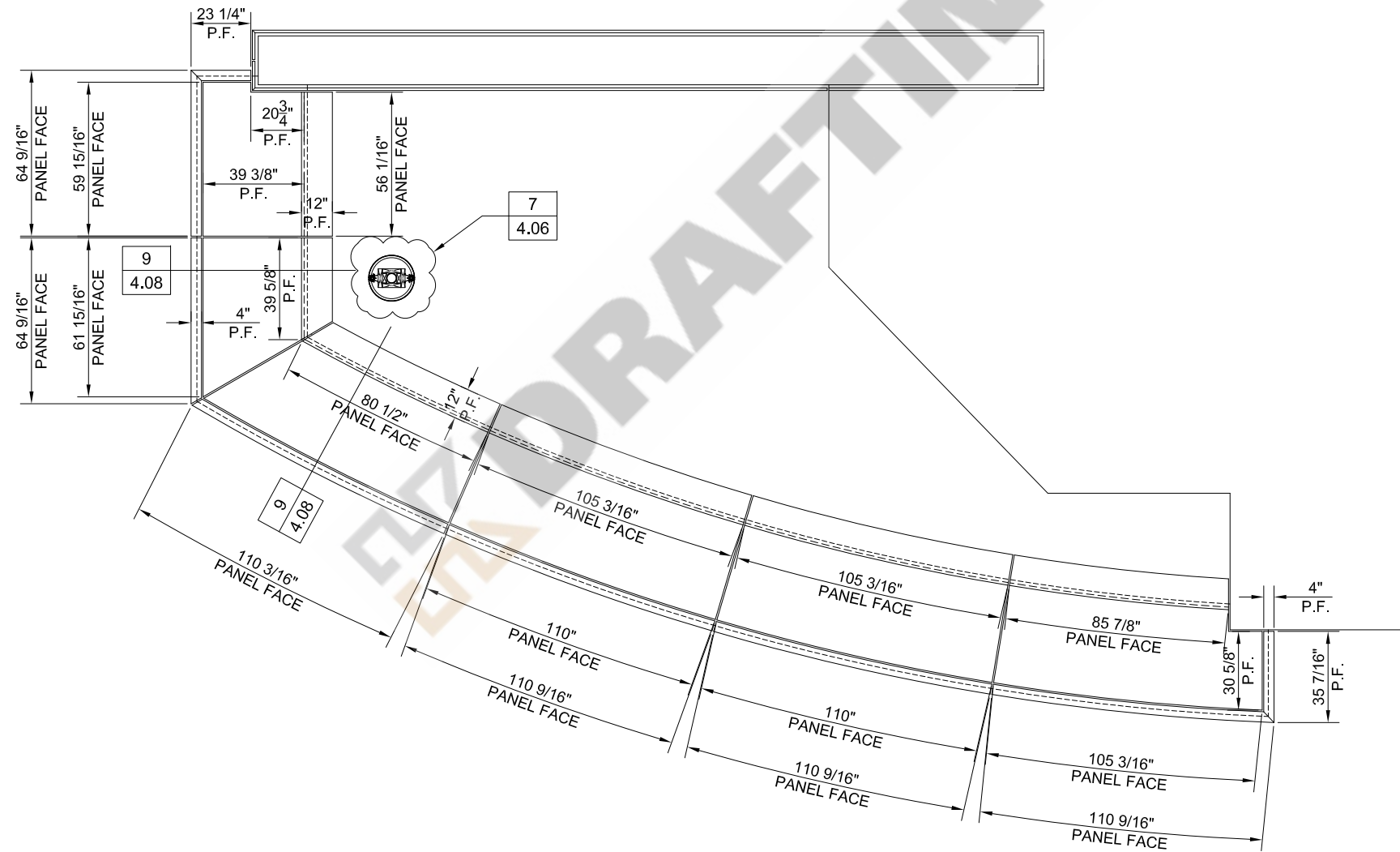




DRAFTING GILFORD, NH - INFO@KHDRAFTING.COM	PROJECT NAME: SIG SAUER SHOOTING RANGE CENTER	REV. #	REASON:
	CONTRACTOR: NORTH BRANCH CONSTRUCTION	1	REVISED PER ARCHITECT REVIEW
	ARCHITECT: COWEN GOUDREAU ARCHITECTS, PLLC	2	
		3	
3.01			

ARCH./G.C. NOTE: DIMENSIONS TO BE FIELD VERIFIED PRIOR TO FABRICATION.

2 ENTRANCE CANOPY
ARCHITECTURAL REFERENCE: A4.05



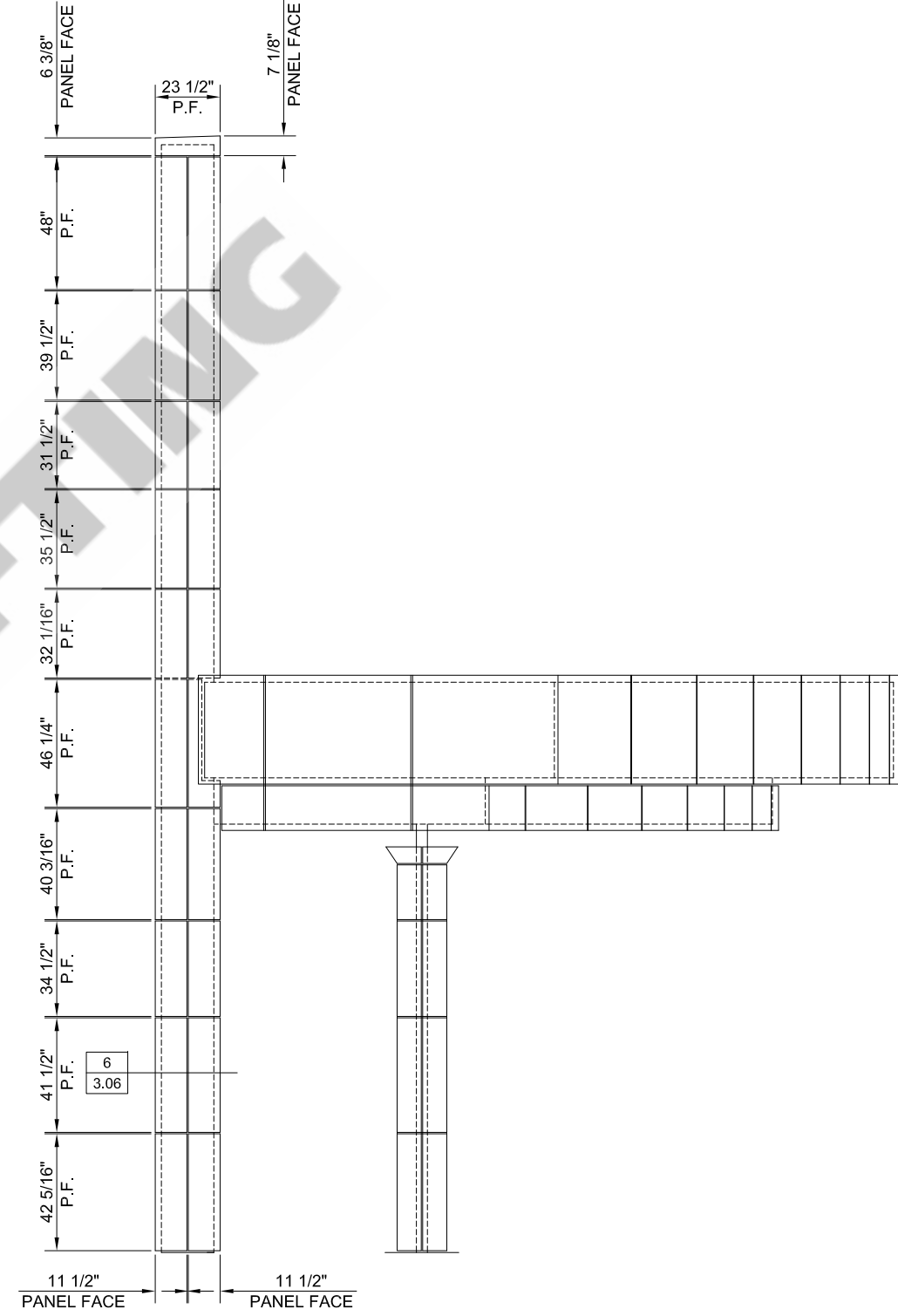
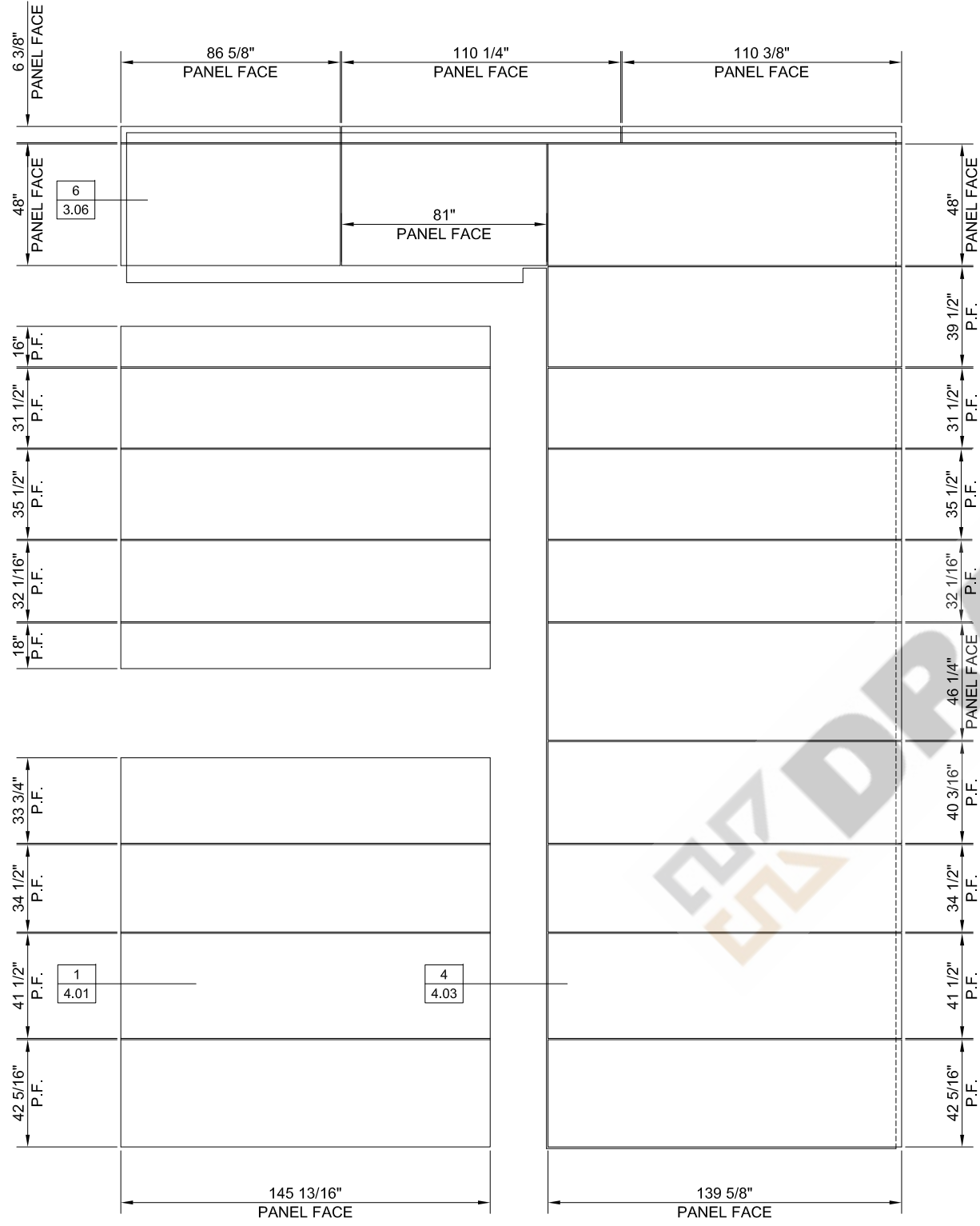
 GILFORD, NH - INFO@KHDRAFTING.COM	PROJECT NAME: SIG SAUER SHOOTING RANGE CENTER	REV. #	REASON:
	CONTRACTOR: NORTH BRANCH CONSTRUCTION	1	REVISED PER ARCHITECT REVIEW
	ARCHITECT: COWEN GOUDREAU ARCHITECTS, PLLC	2	
		3	


ARCH./G.C. NOTE: DIMENSIONS TO BE FIELD VERIFIED PRIOR TO FABRICATION.

1

3

ACM TOWER @ ENTRY
ARCHITECTURAL REFERENCE: A4.05



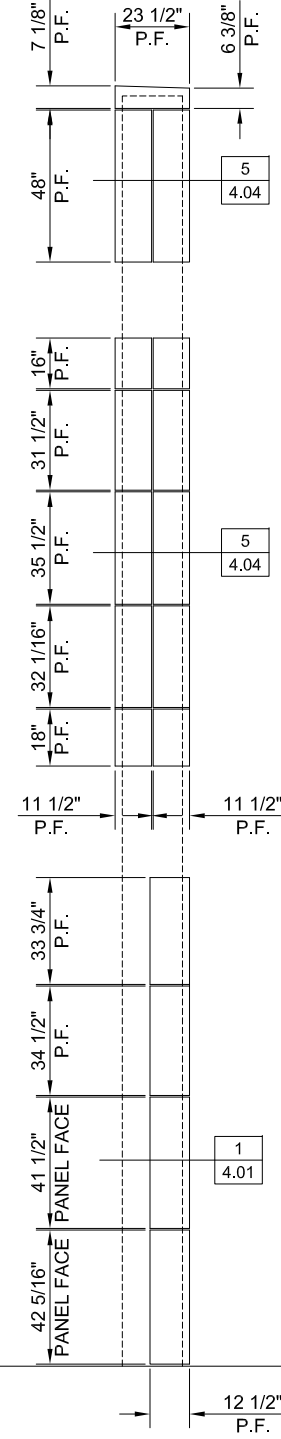
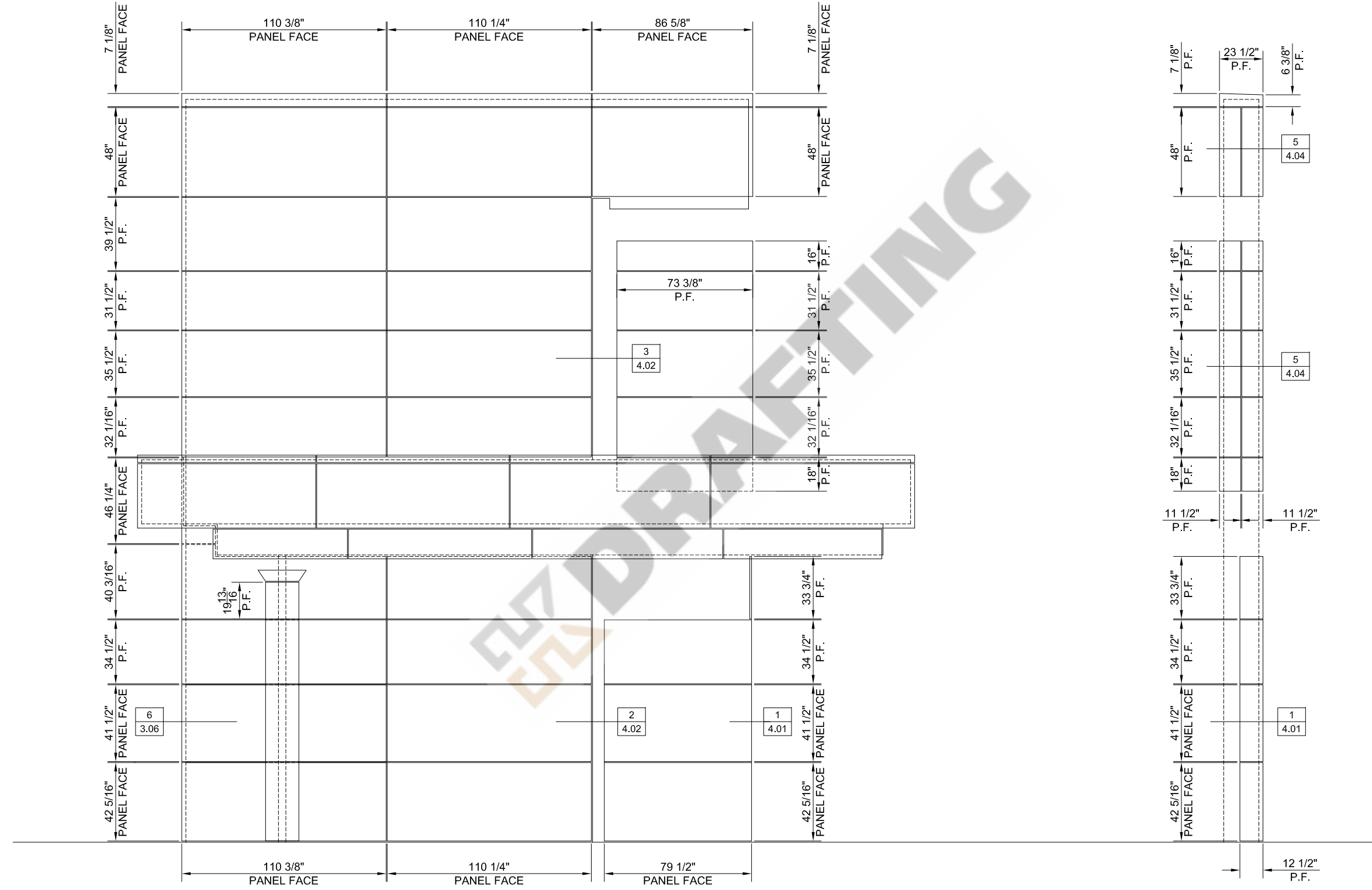
 GILFORD, NH - INFO@KHDRAFTING.COM	PROJECT NAME:	SIG SAUER SHOOTING RANGE CENTER	REV. #	REASON:
	CONTRACTOR:	NORTH BRANCH CONSTRUCTION	1	REVISED PER ARCHITECT REVIEW
	ARCHITECT:	COWEN GOUDREAU ARCHITECTS, PLLC	2	
			3	

ARCH./G.C. NOTE: DIMENSIONS TO BE FIELD VERIFIED PRIOR TO FABRICATION.

1

4

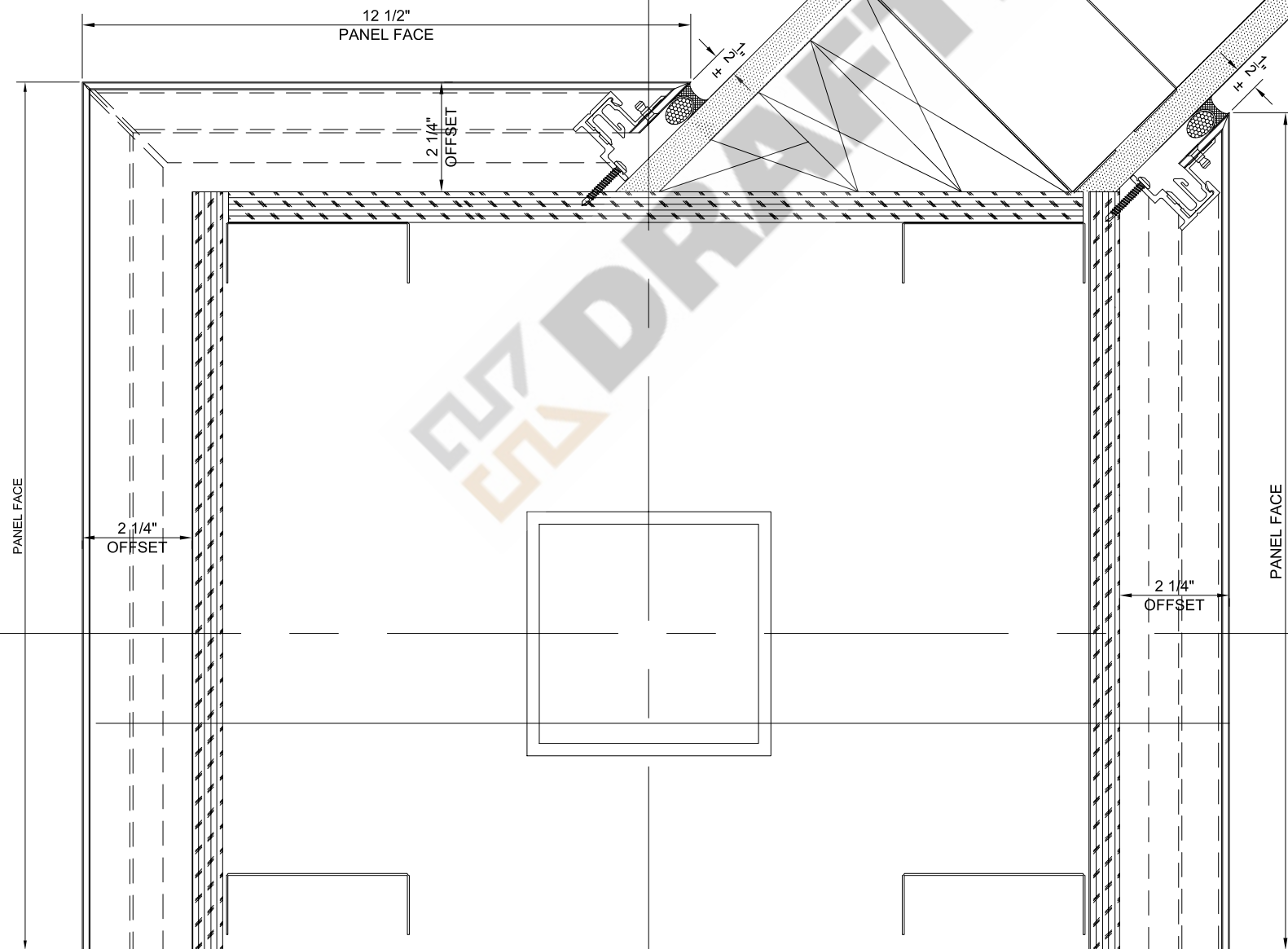
ACM TOWER @ ENTRY
ARCHITECTURAL REFERENCE: A4.05



 GILFORD, NH - INFO@KHDRAFTING.COM	PROJECT NAME:	SIG SAUER SHOOTING RANGE CENTER	REV. #	REASON:
	CONTRACTOR:	NORTH BRANCH CONSTRUCTION	1	REVISED PER ARCHITECT REVIEW
	ARCHITECT:	COWEN GOUDREAU ARCHITECTS, PLLC	2	
			3	

ARCH./G.C. NOTE: DIMENSIONS TO BE FIELD VERIFIED PRIOR TO FABRICATION.

4



1 INTERIOR VESTIBULE PLAN DETAIL
ARCH. REF: 2/A7.01

J

PROJECT NAME: SIG SAUER SHOOTING RANGE CENTER CONTRACTOR: NORTH BRANCH CONSTRUCTION ARCHITECT: COWEN GOUDREAU ARCHITECTS, PLLC	REV. #	REASON:
	1	REVISED PER ARCHITECT REVIEW
	2	
	3	
4.01		

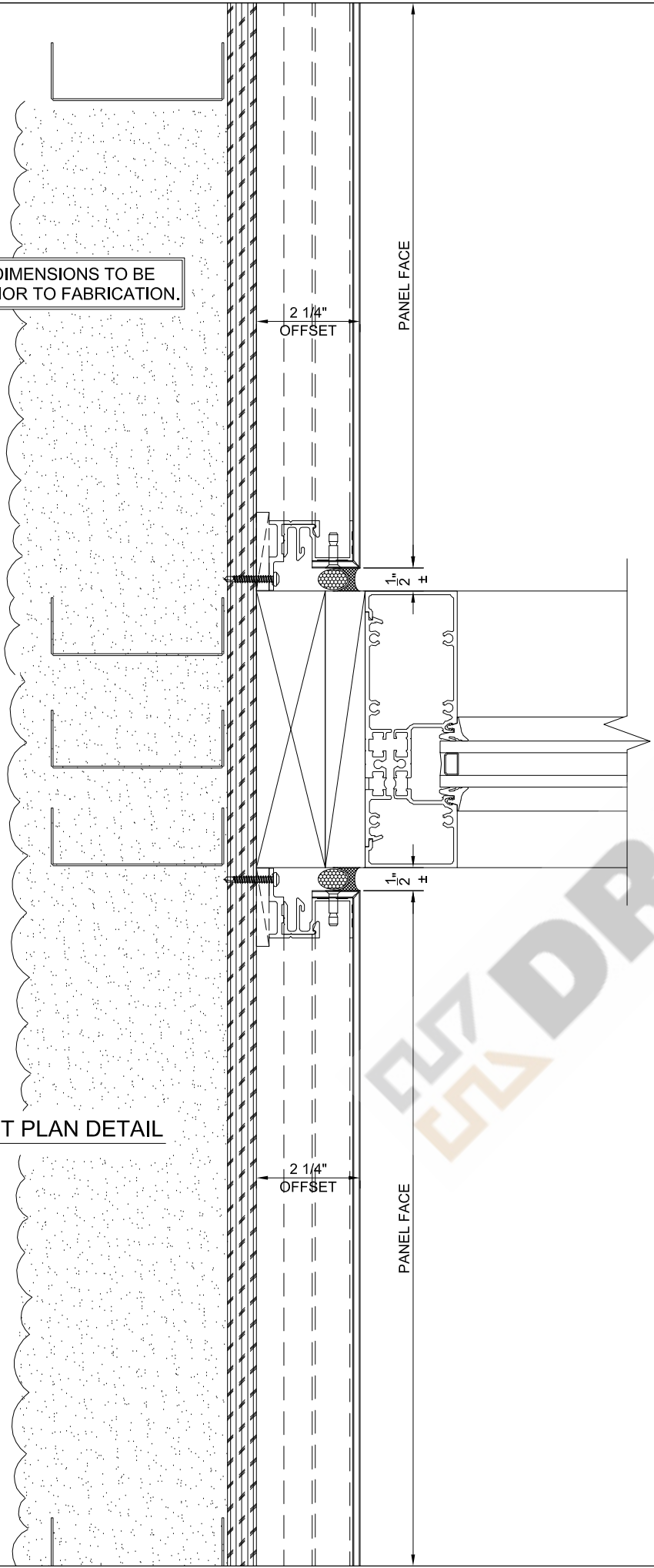


ARCH./G.C. NOTE: DIMENSIONS TO BE FIELD VERIFIED PRIOR TO FABRICATION.

4

2

1ST FLOOR EXT. VEST PLAN DETAIL
ARCH. REF: 2/A7.01

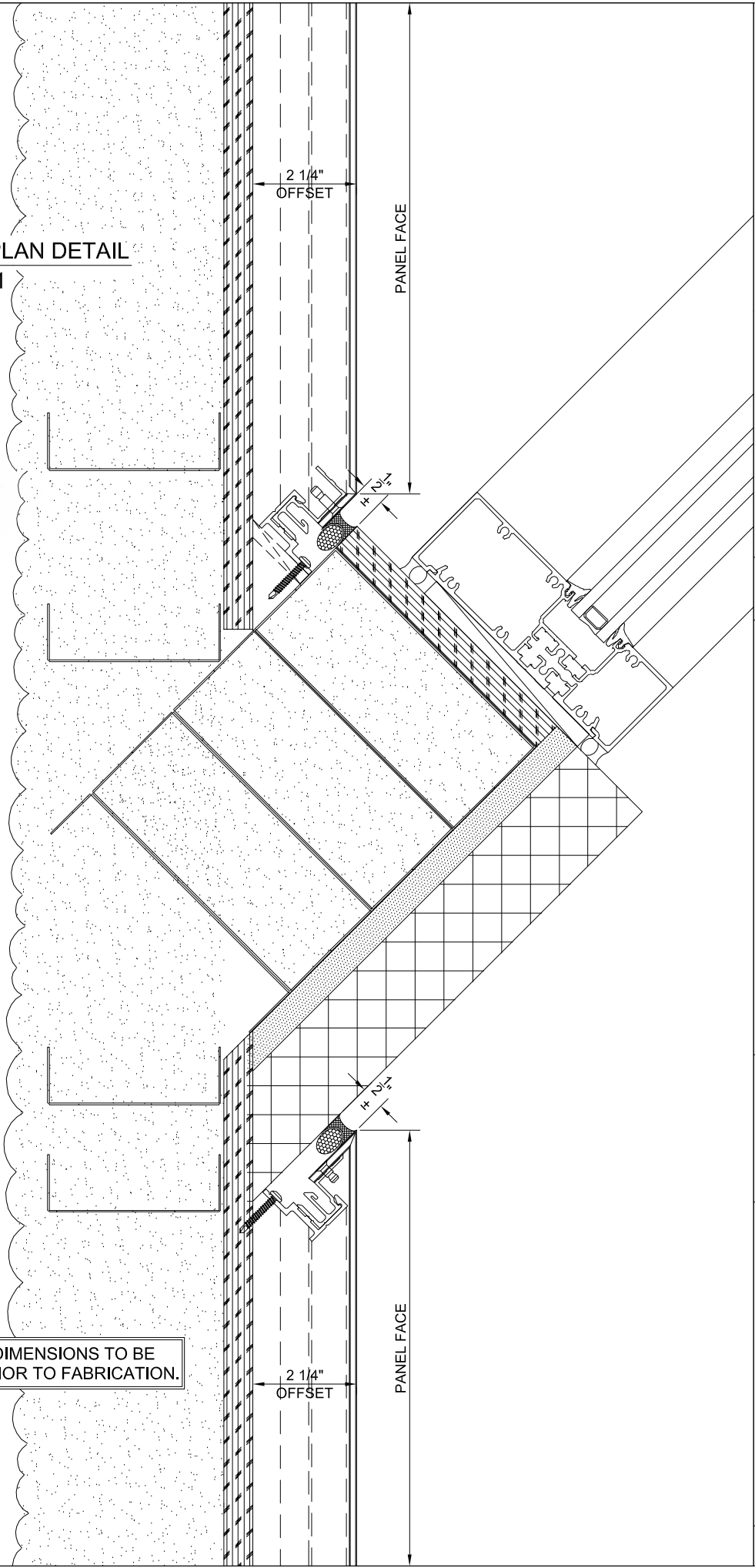


3

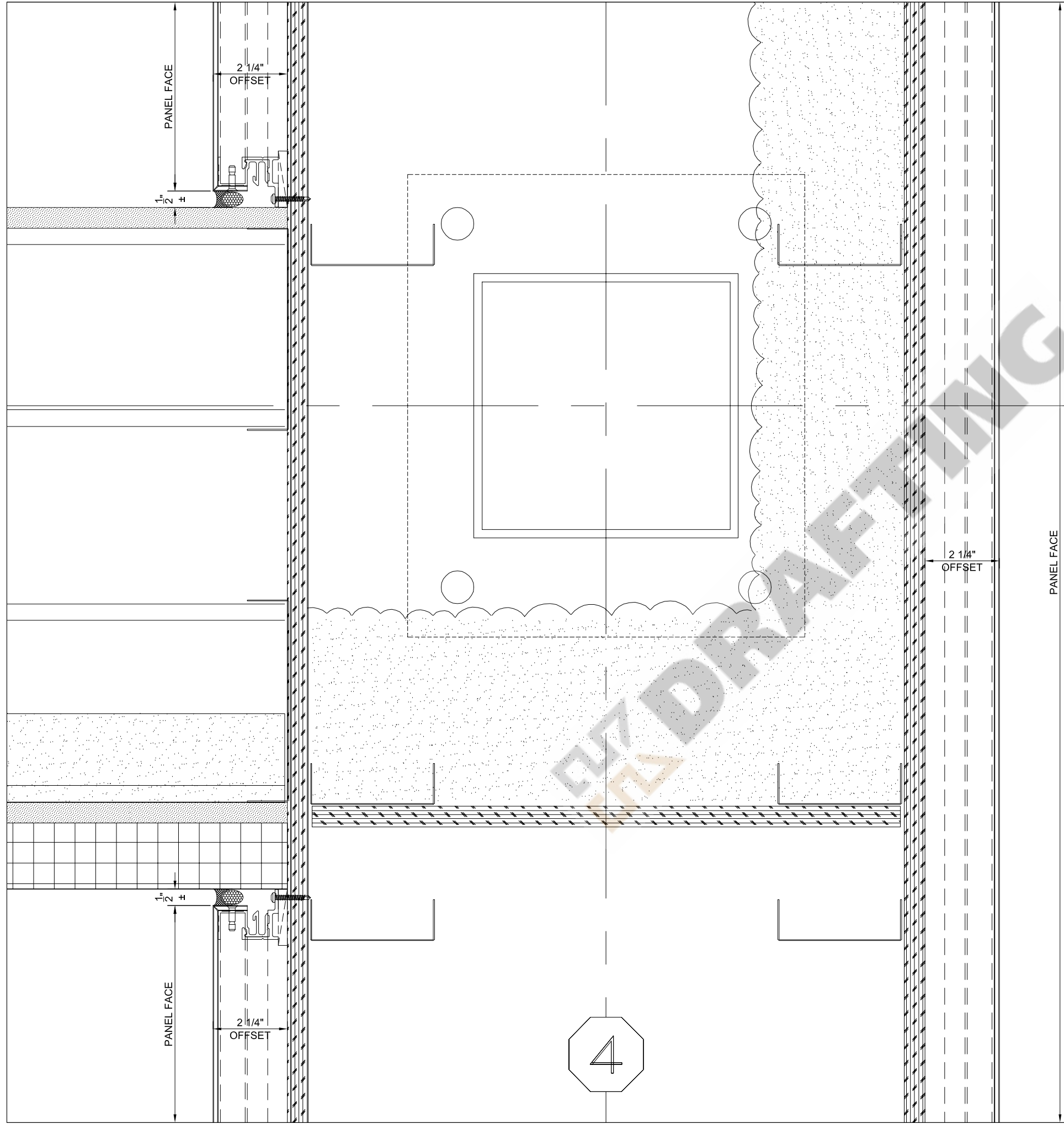
2ND FLOOR EXT. PLAN DETAIL
ARCH. REF: 2/A7.01

4

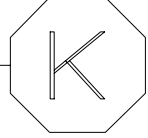
ARCH./G.C. NOTE: DIMENSIONS TO BE FIELD VERIFIED PRIOR TO FABRICATION.



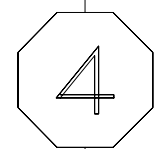
 GILFORD, NH - INFO@KHDRAFTING.COM	PROJECT NAME: SIG SAUER SHOOTING RANGE CENTER CONTRACTOR: NORTH BRANCH CONSTRUCTION ARCHITECT: COWEN GOUDREAU ARCHITECTS, PLLC	REV. # 1 2 3	REASON: REVISED PER ARCHITECT REVIEW
	4.02		



ARCH./G.C. NOTE: DIMENSIONS TO BE FIELD VERIFIED PRIOR TO FABRICATION.



4 ENTRANCE TOWER PLAN DETAIL
ARCH. REF: 1&2/A7.01



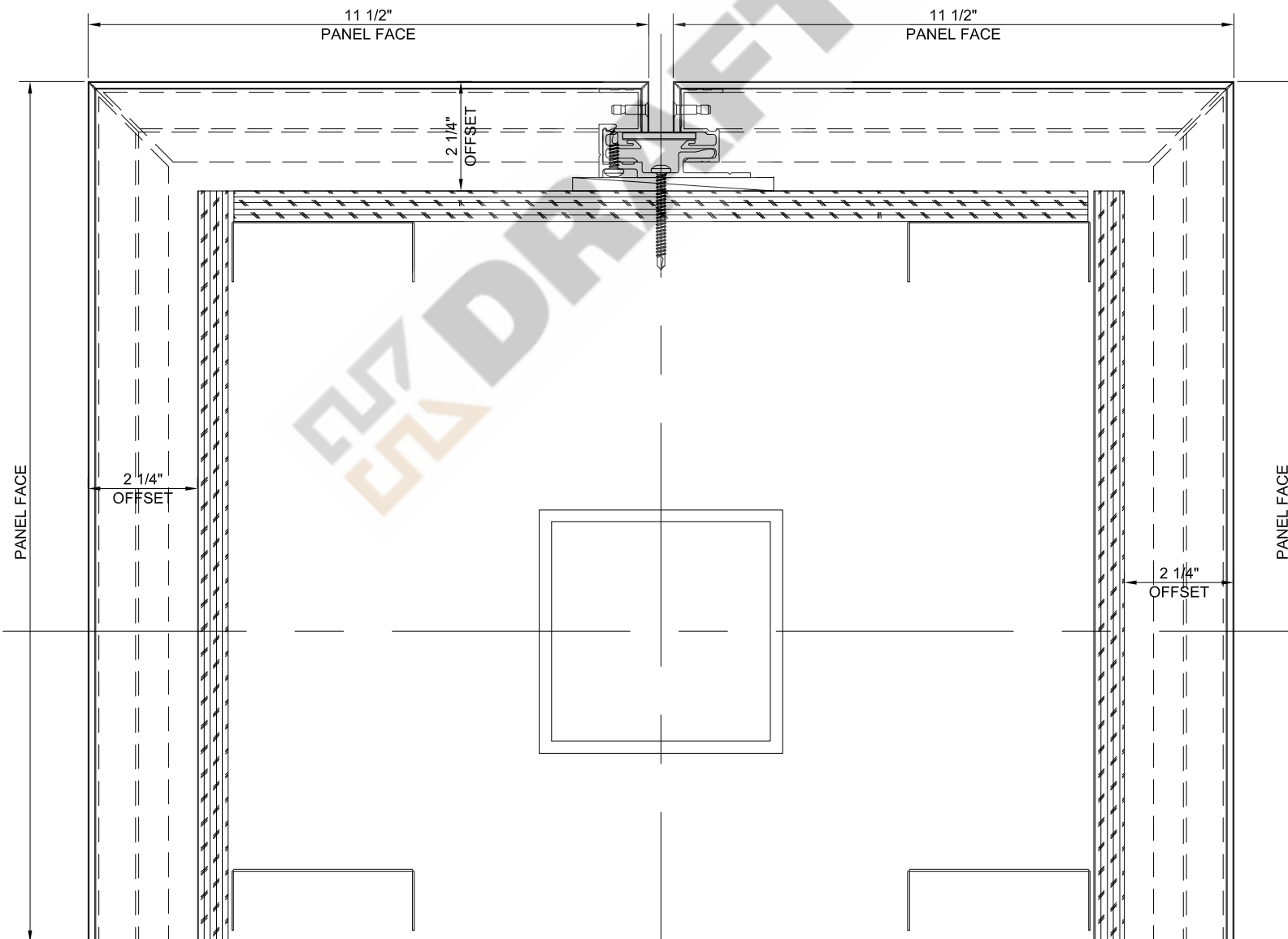
PROJECT NAME: SIG SAUER SHOOTING RANGE CENTER CONTRACTOR: NORTH BRANCH CONSTRUCTION ARCHITECT: COWEN GOUDREAU ARCHITECTS, PLLC	REV. #	REASON:
	1	REVISED PER ARCHITECT REVIEW
	2	
	3	



ARCH./G.C. NOTE: DIMENSIONS TO BE FIELD VERIFIED PRIOR TO FABRICATION.

4

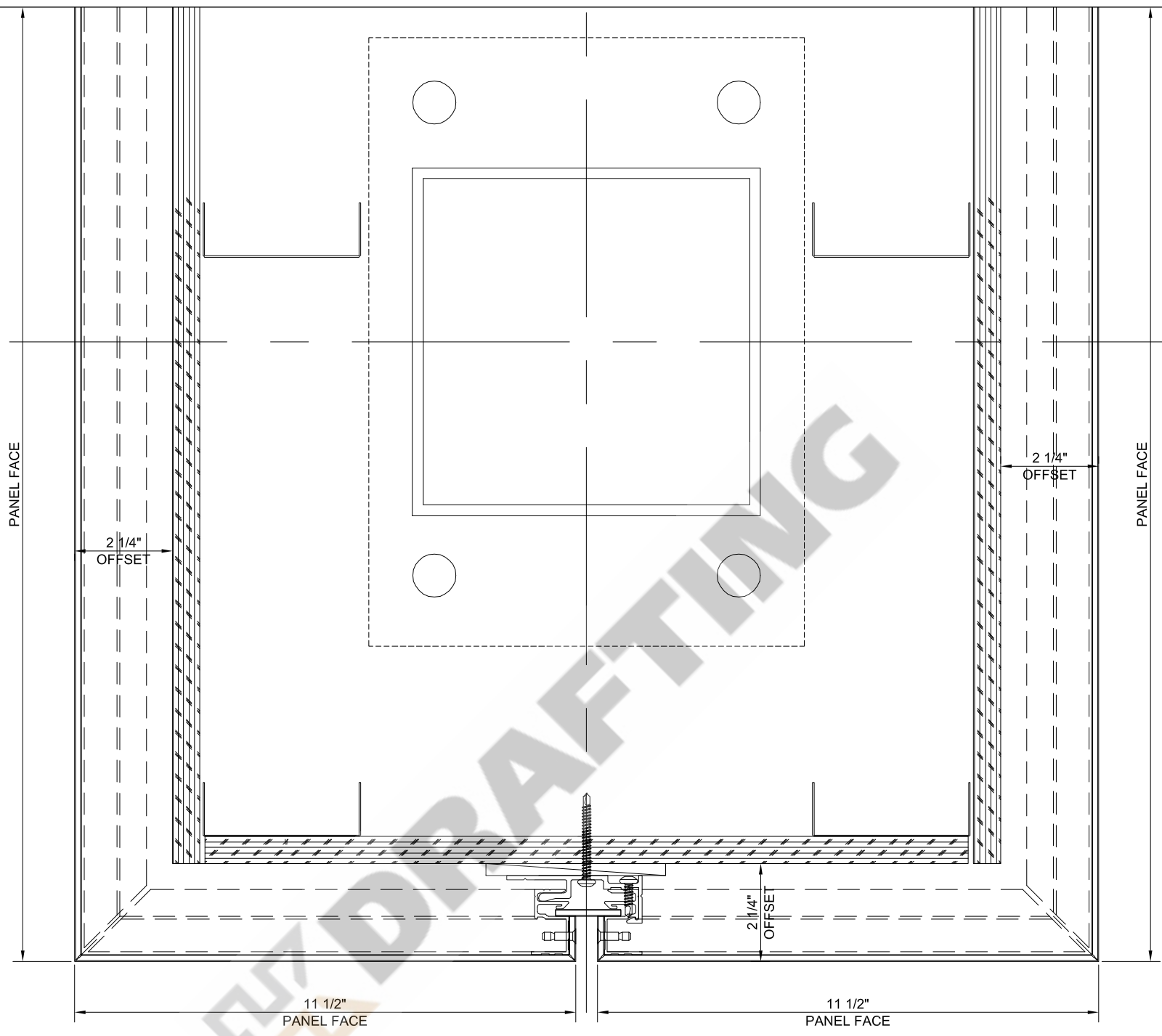
5 ENTRANCE TOWER INT. PLAN DETAIL
ARCH. REF: 1&2/A7.01



PROJECT NAME: SIG SAUER SHOOTING RANGE CENTER CONTRACTOR: NORTH BRANCH CONSTRUCTION ARCHITECT: COWEN GOUDREAU ARCHITECTS, PLLC	REV. #	REASON:
	1	REVISED PER ARCHITECT REVIEW
	2	
	3	
4.04		



6 ENTRANCE TOWER EXT. PLAN DETAIL
 ARCH. REF: 1&2/A7.01



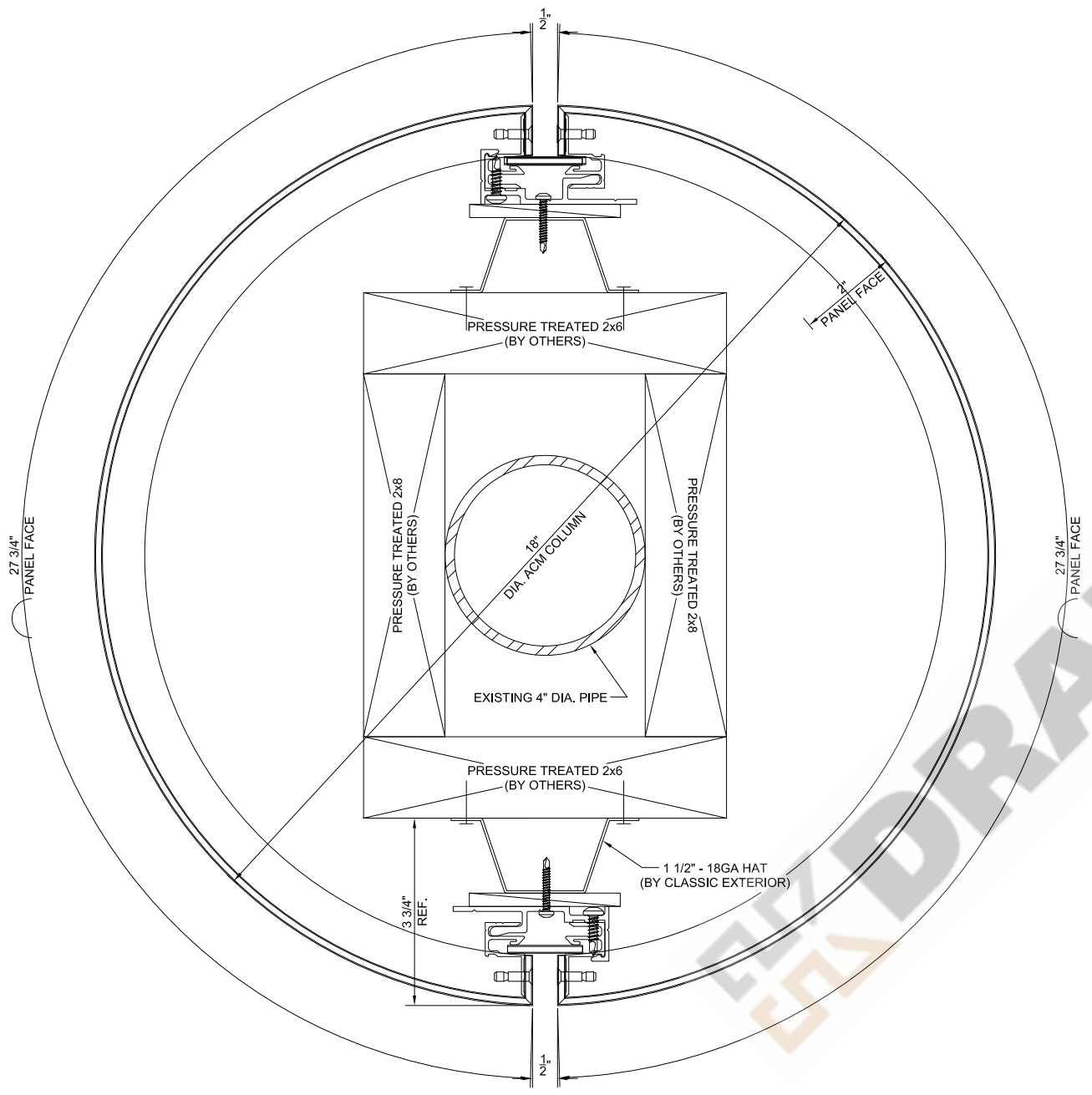
ARCH./G.C. NOTE: DIMENSIONS TO BE FIELD VERIFIED PRIOR TO FABRICATION.

4

M

PROJECT NAME: SIG SAUER SHOOTING RANGE CENTER CONTRACTOR: NORTH BRANCH CONSTRUCTION ARCHITECT: COWEN GONDREAU ARCHITECTS, PLLC	REV. #	REASON:
	1	REVISED PER ARCHITECT REVIEW
	2	
	3	

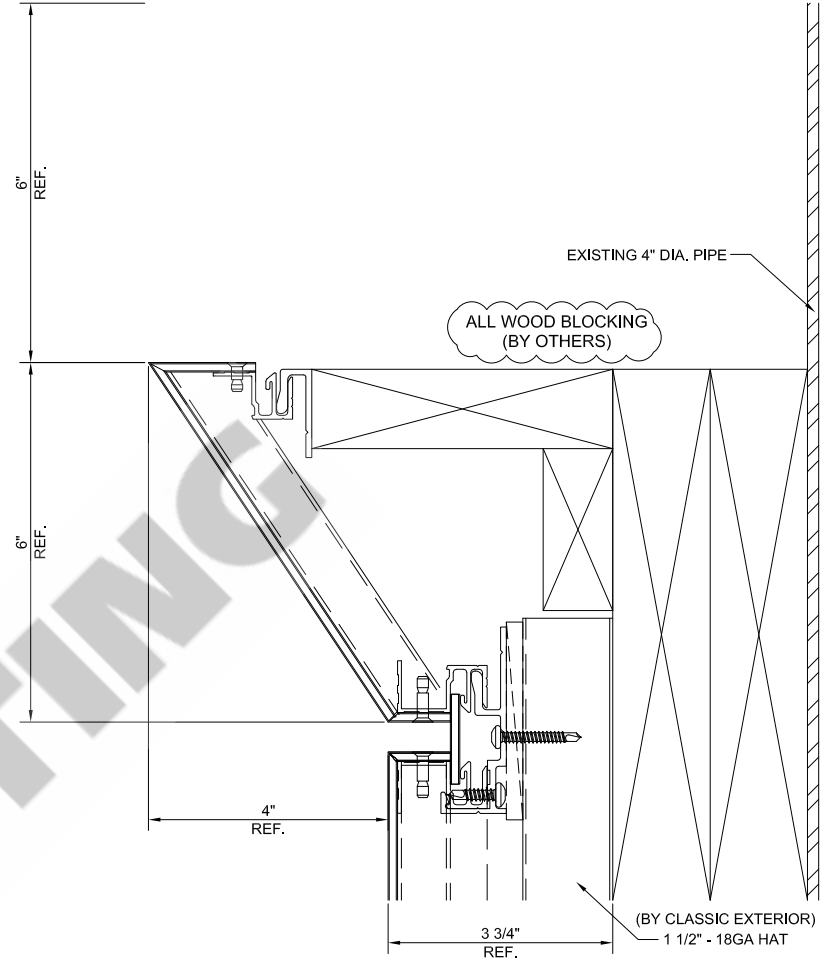
7 TYPICAL COLUMN DETAIL
 ARCH. REF: 1&2/A7.01



ENTRY COLUMN PLAN DETAIL

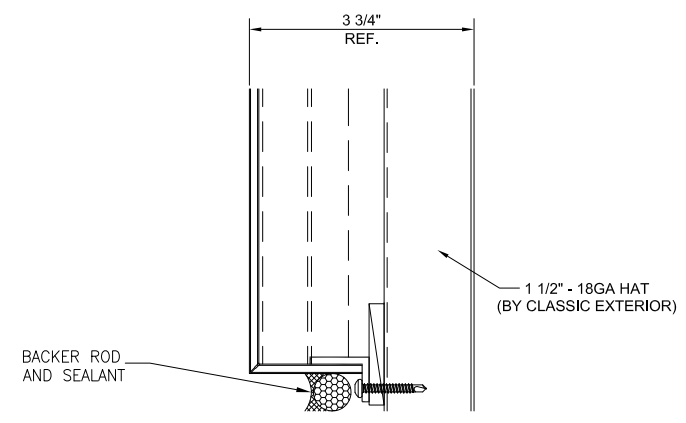
ARCH./G.C. NOTE: DIMENSIONS TO BE FIELD VERIFIED PRIOR TO FABRICATION.

SOFFIT & LINEAR METAL CEILING
 (BY OTHERS)



1 TYPICAL TOP DETAIL @ COLUMN

TYPICAL BASE DETAIL @ COLUMN



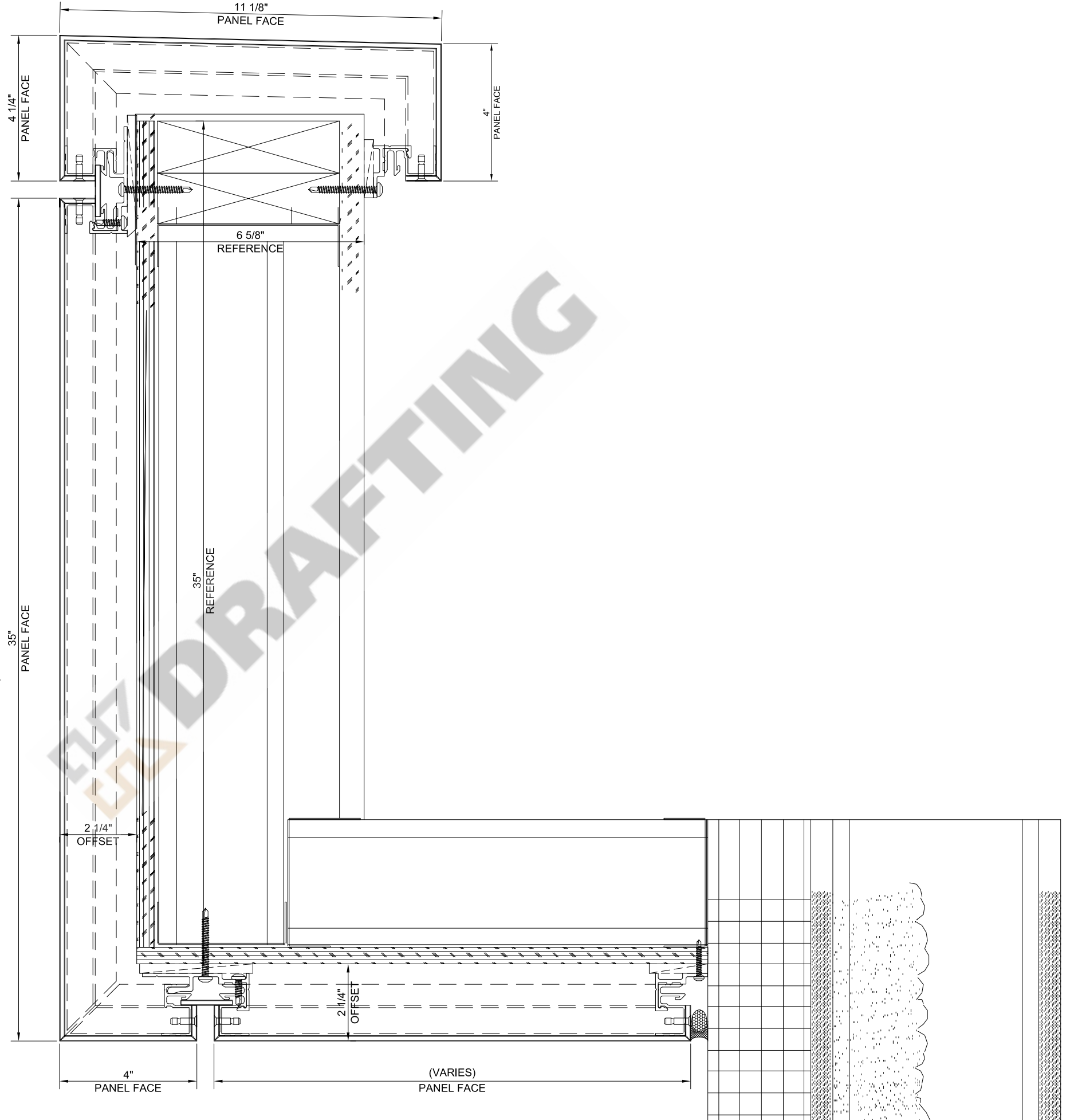
PROJECT NAME:	SIG SAUER SHOOTING RANGE CENTER	REV. #	REASON:
CONTRACTOR:	NORTH BRANCH CONSTRUCTION	1	REVISED PER ARCHITECT REVIEW
ARCHITECT:	COWEN GOUDREAU ARCHITECTS, PLLC	2	
		3	




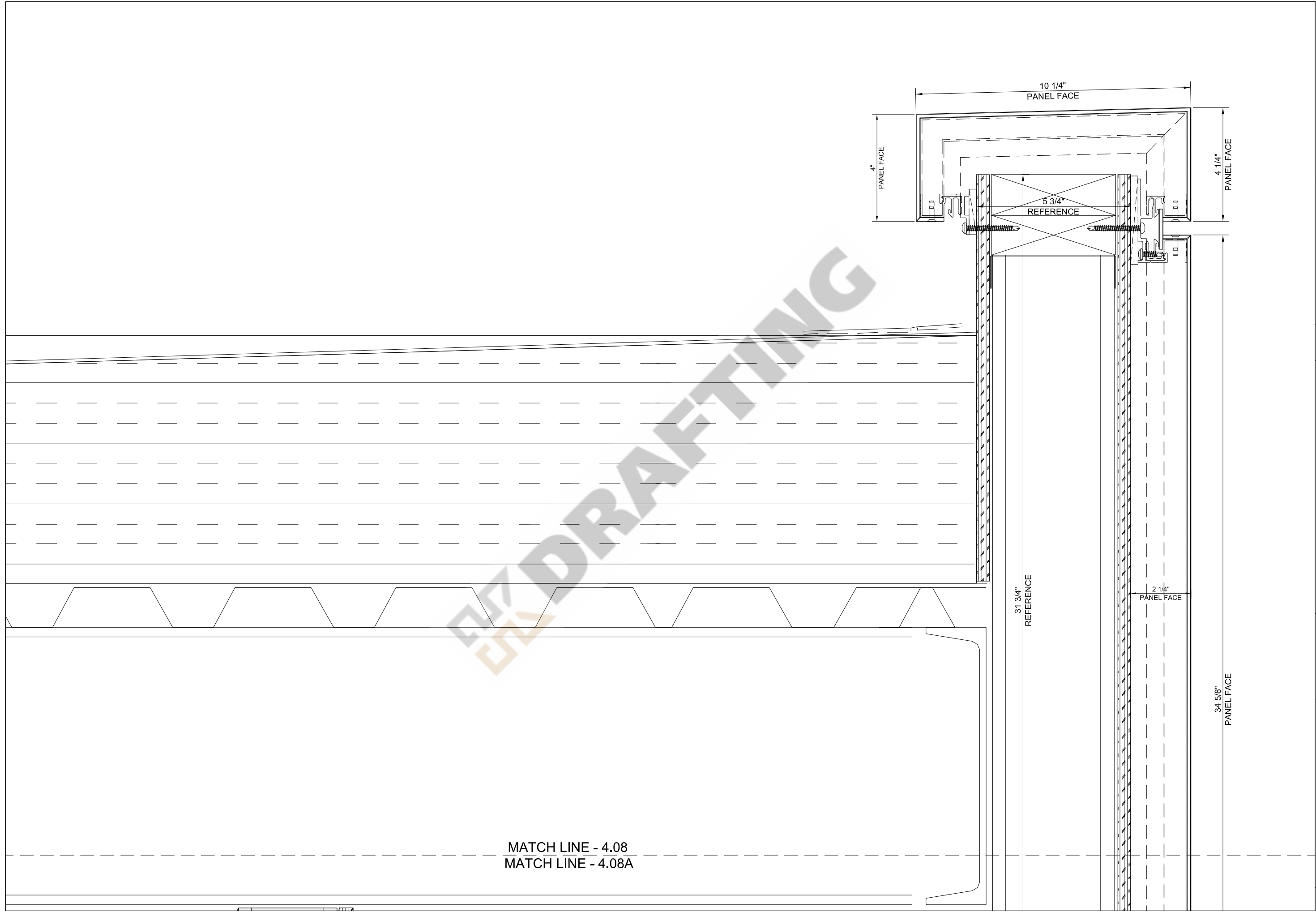
ARCH./G.C. NOTE: DIMENSIONS TO BE FIELD VERIFIED PRIOR TO FABRICATION.

8 SMALL CANOPY FASCIA
ARCH. REF: 2/A4.05 - SIM.

1



 GILFORD, NH - INFO@KHDRAFTING.COM	PROJECT NAME:	SIG SAUER SHOOTING RANGE CENTER	REV. #	REASON:
	CONTRACTOR:	NORTH BRANCH CONSTRUCTION	1	REVISED PER ARCHITECT REVIEW
	ARCHITECT:	COWEN GOUDREAU ARCHITECTS, PLLC	2	
			3	



EX DRAFTING

 GILFORD, NH - INFO@KHDRAFTING.COM	PROJECT NAME: SIG SAUER SHOOTING RANGE CENTER	REV. #	REASON:
	CONTRACTOR: NORTH BRANCH CONSTRUCTION	1	REVISED PER ARCHITECT REVIEW
	ARCHITECT: COWEN GOUDREAU ARCHITECTS, PLLC	2	
		3	